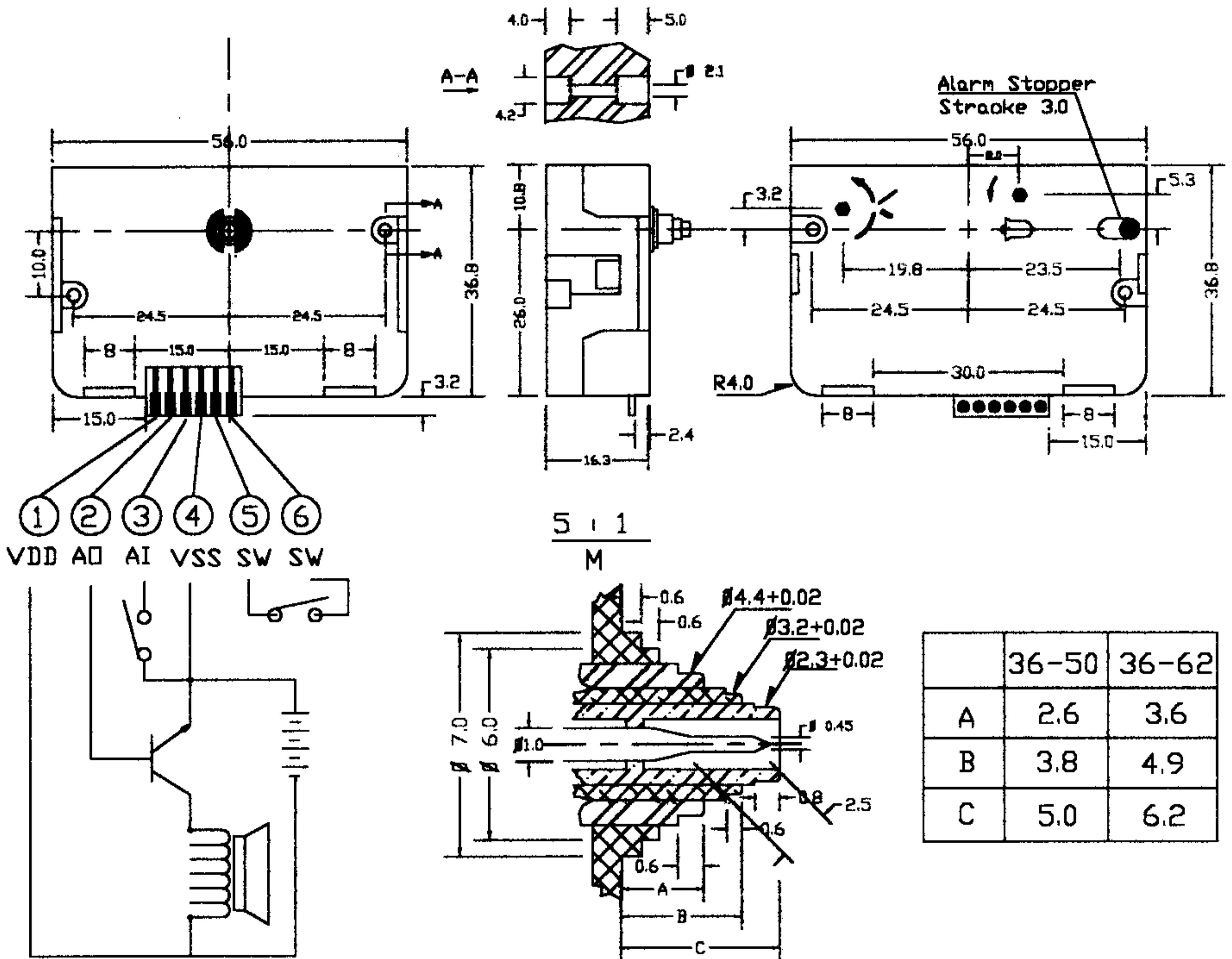


# YQ-36 Outer Conductor movement



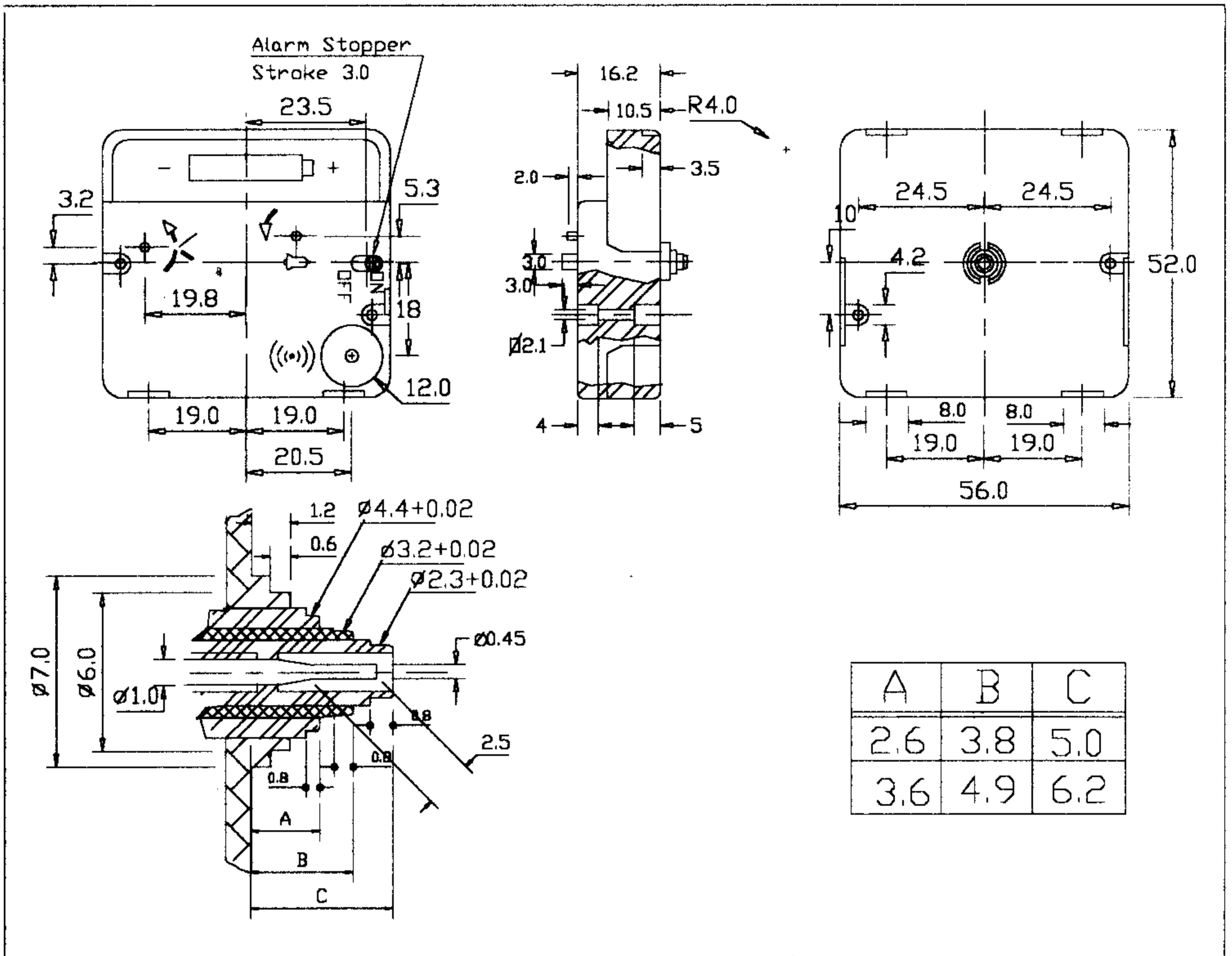
## PLASTIC HANDS

Hand Type	Dimensions (A, B, C)
 <b>HOUR HAND</b>	A / 6.5 B / 3.16 C / 0.75
 <b>MINUTE HAND</b>	A / 5.6 B / 2.26 C / 0.8
 <b>SECOND HAND</b>	A / 4.2 B / 0.45 C 0.5 D / 1.0 E 3.0 F 2.2
 <b>ALARM HAND</b>	A / 6.5 B / 4.3 C 0.6

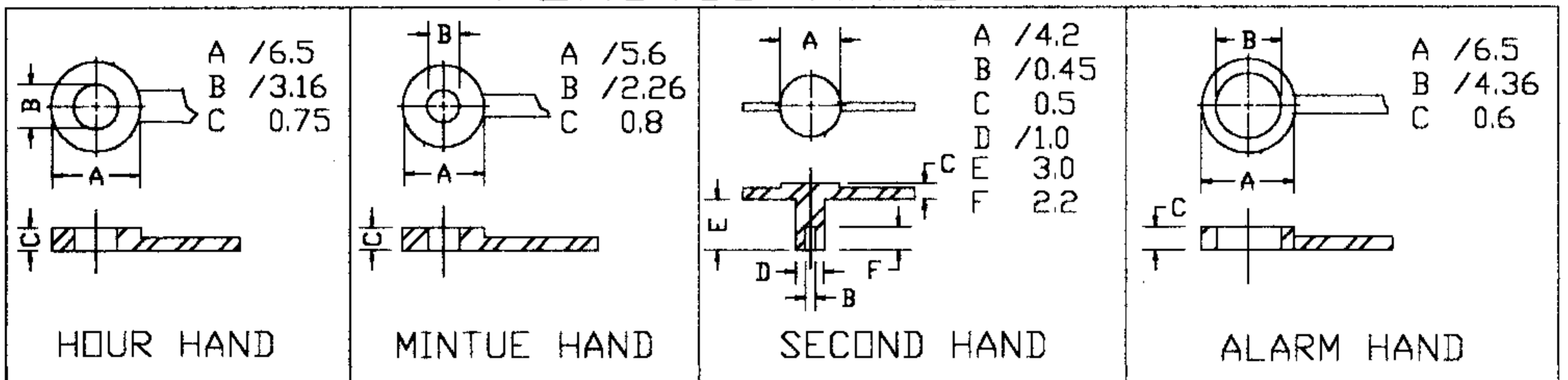
## Specification

Oscillator frequency	32.768 KHz	Step motor	self-start, self motor drive
Circuit	C-Mos	Operating voltage	1.25V to 1.65V
Time keeping	0.45+/-0.55/day	Battery	1AA size (1.5V), 1 piece
Operating temperature	-10 C to +60 C	Battery life	1/2 year
Operating position	any	Average current consumption	1.5V < 150 Amp
Indication of second hands	step by step	torque	Max torsional load on second shaft < 150 Nm

# YQ-38 QUARTZ ALARM CLOCK MOVEMENT

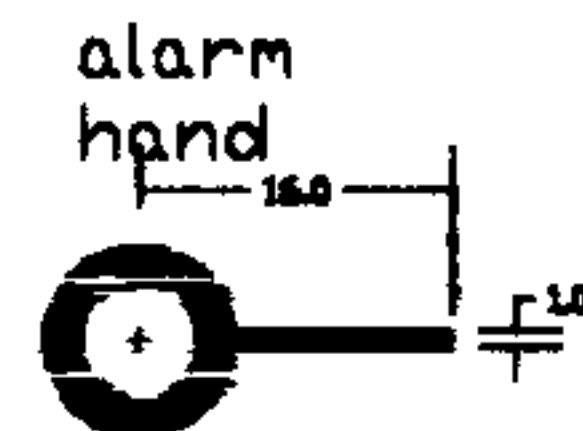
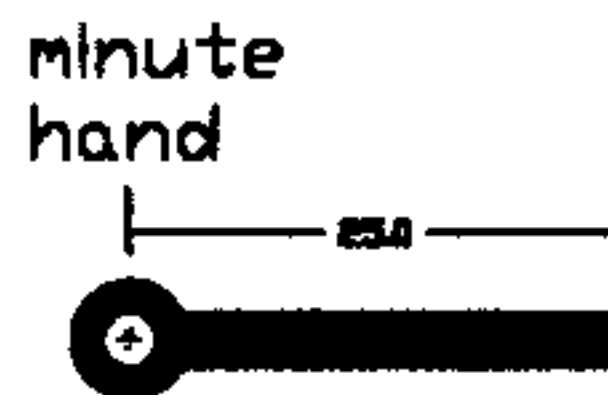
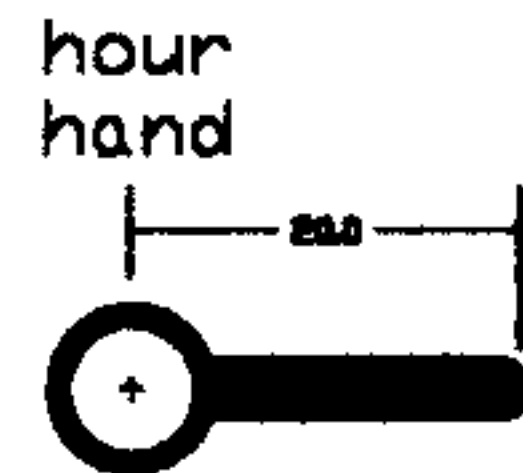
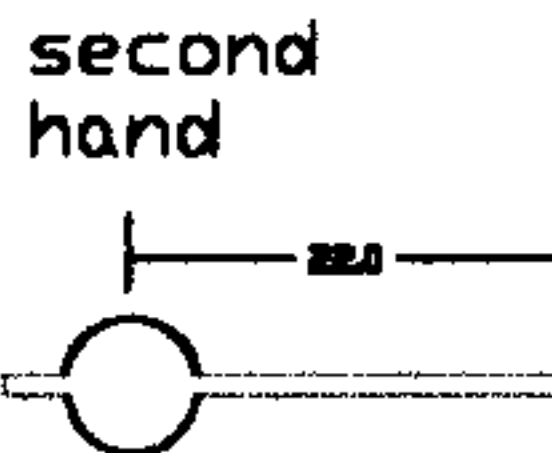
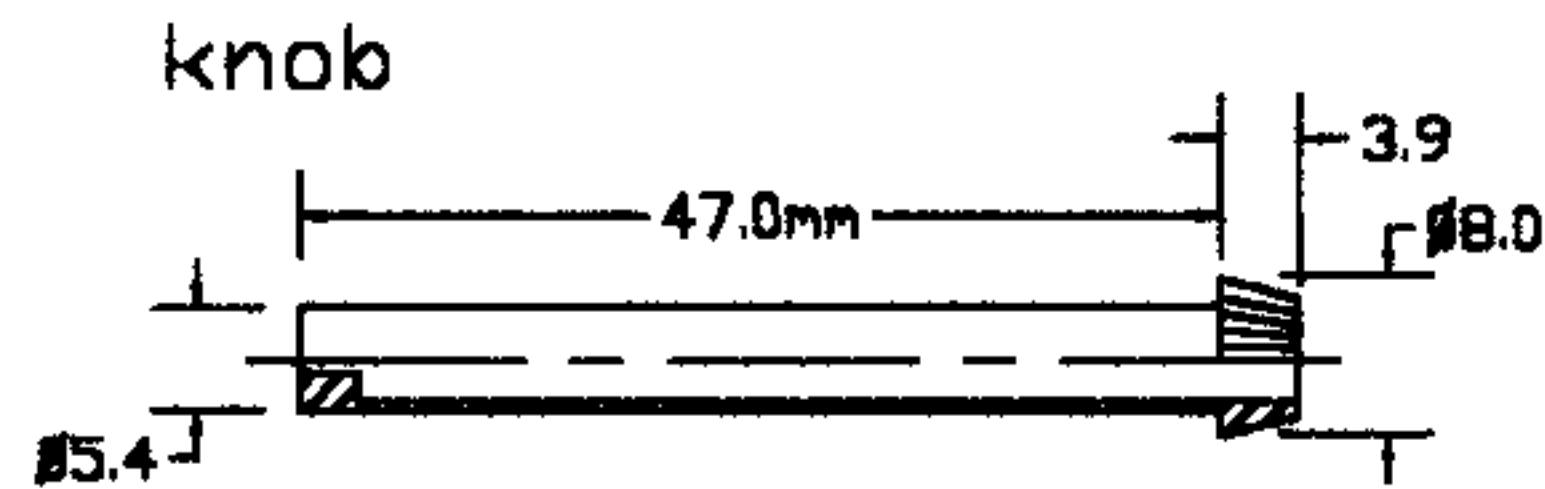
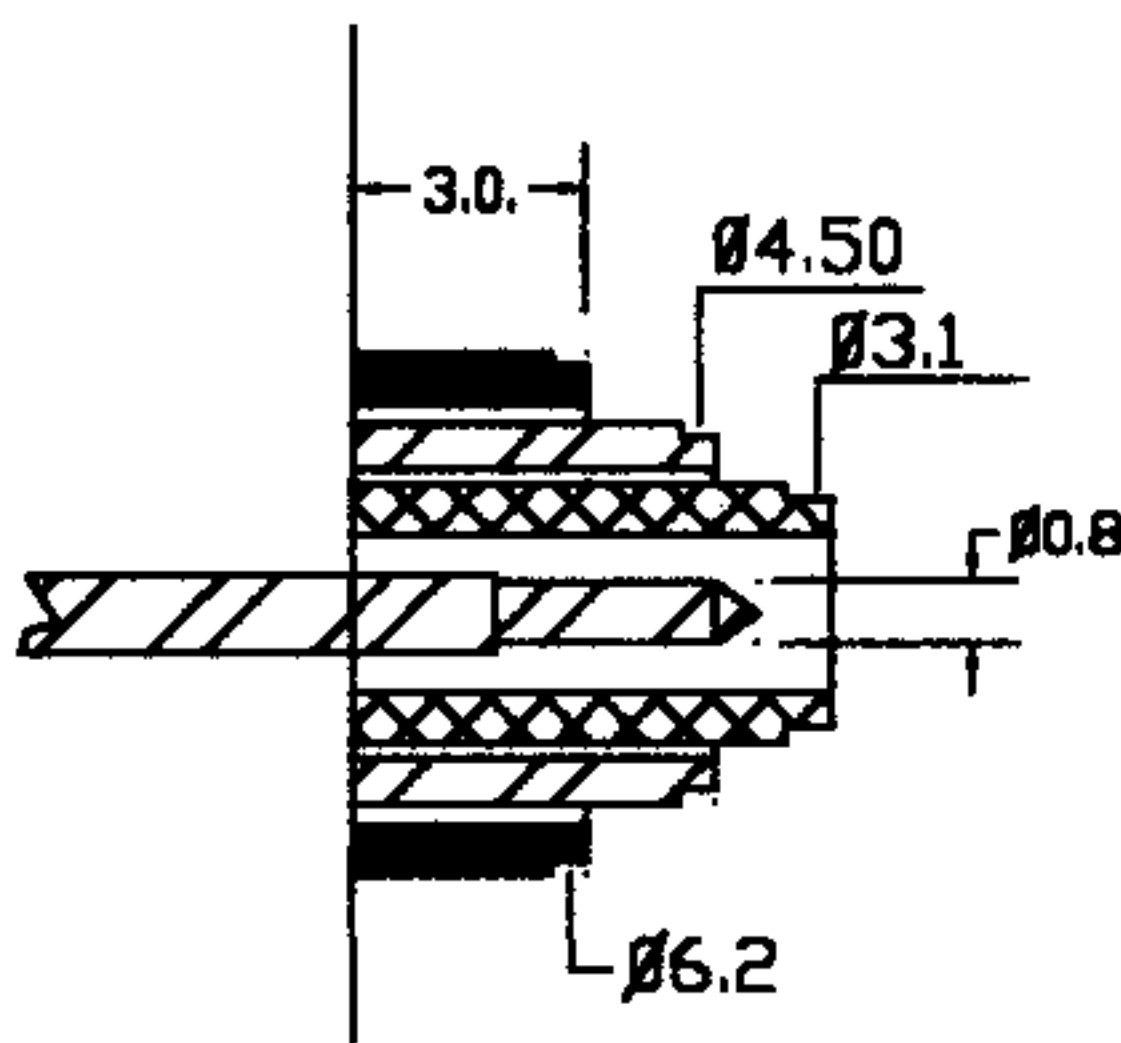
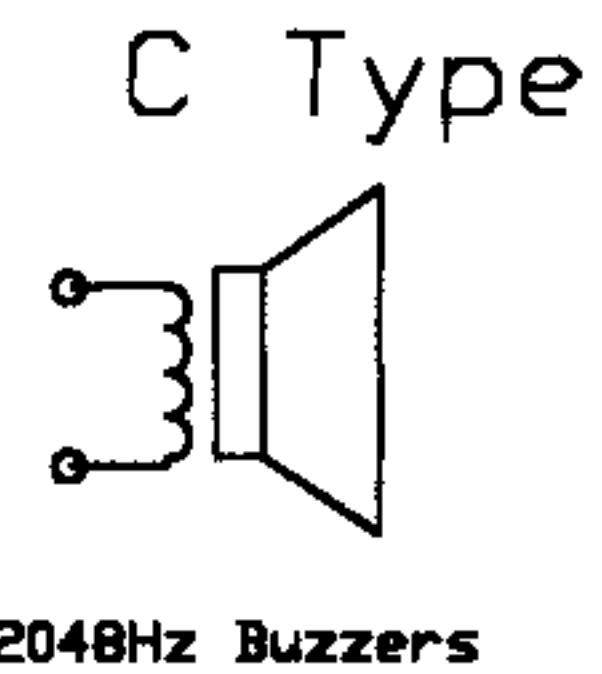
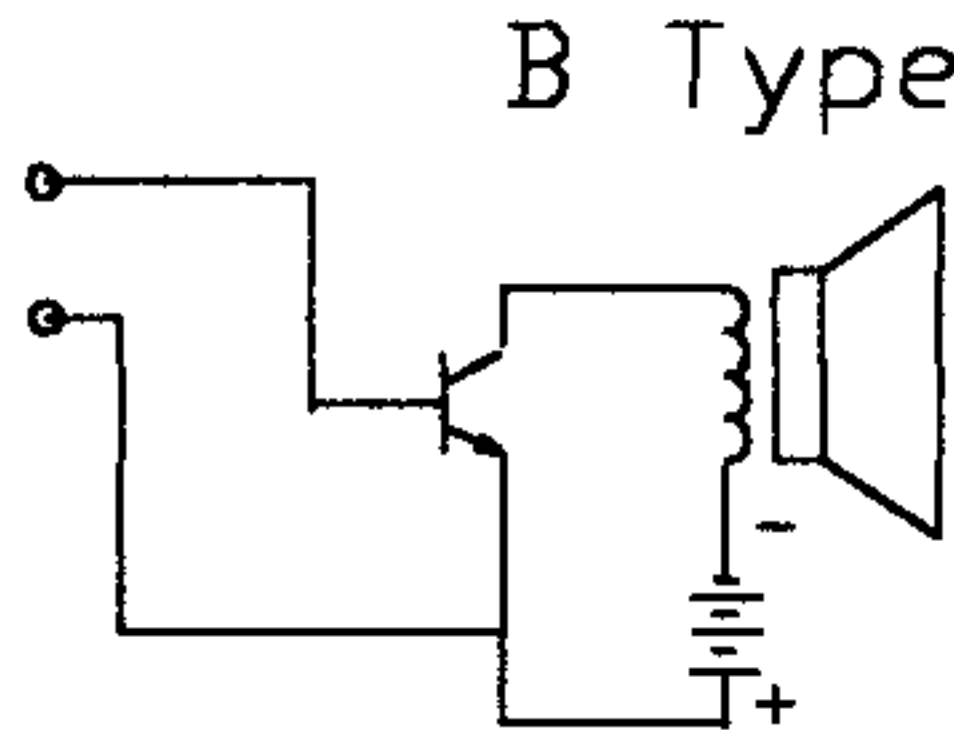
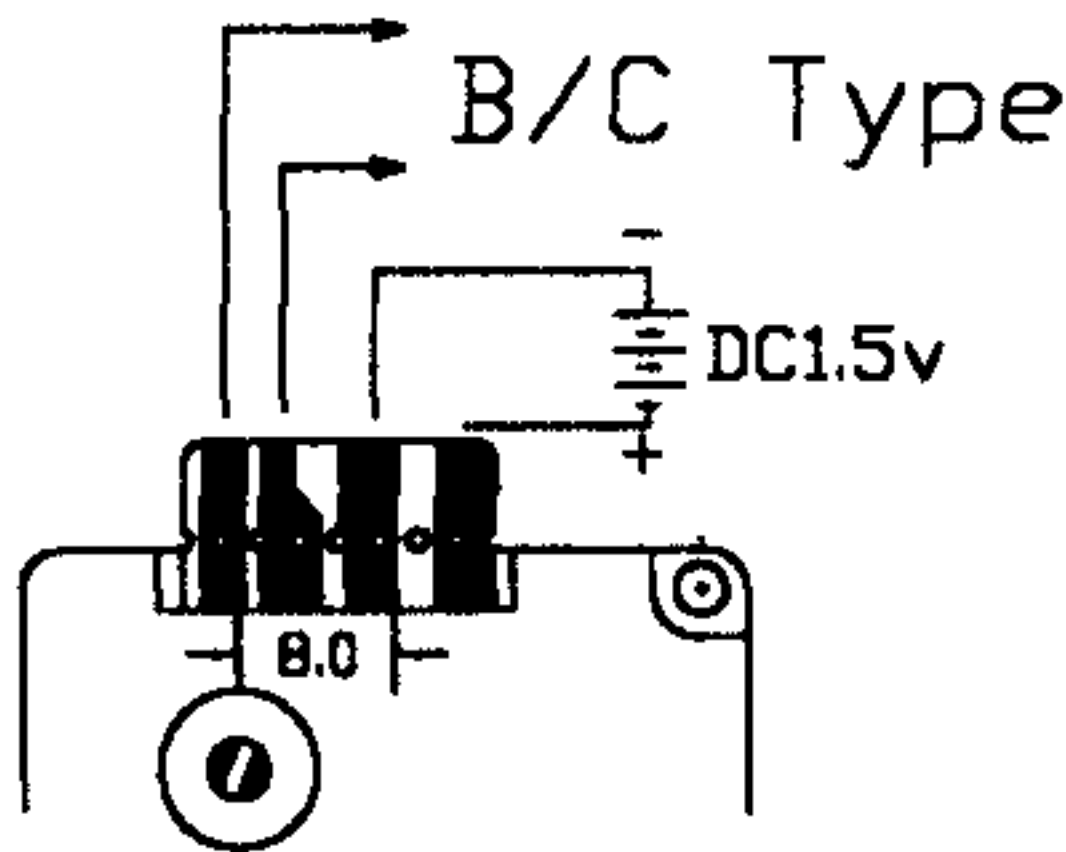
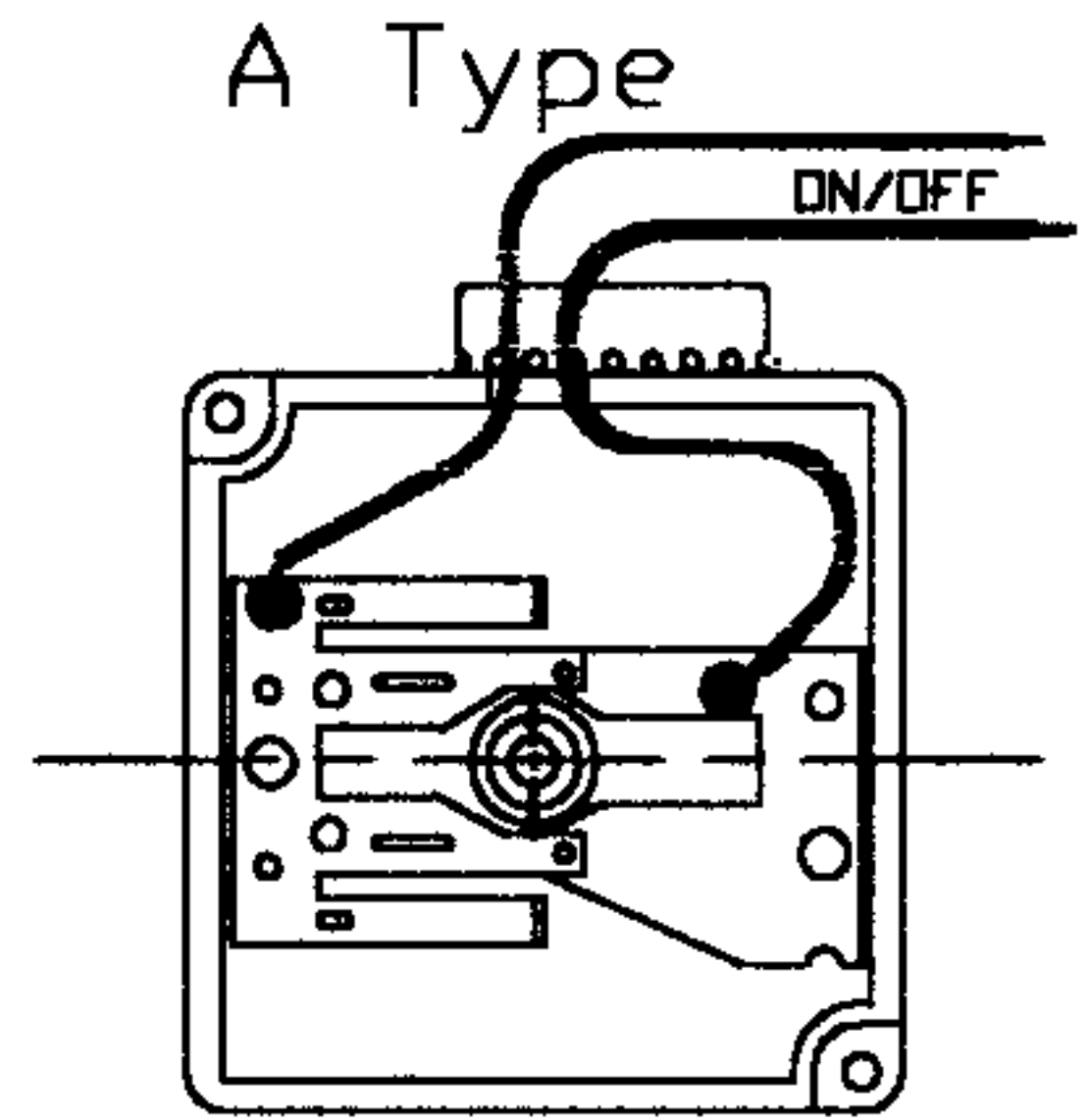
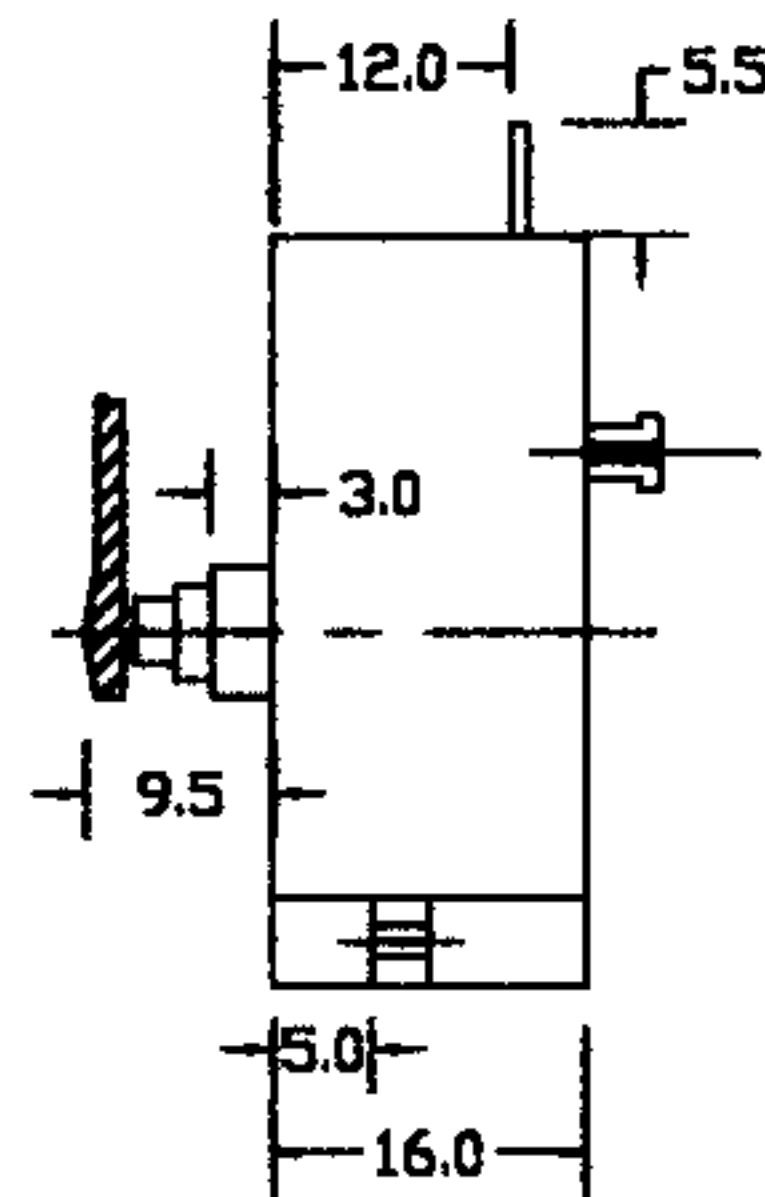
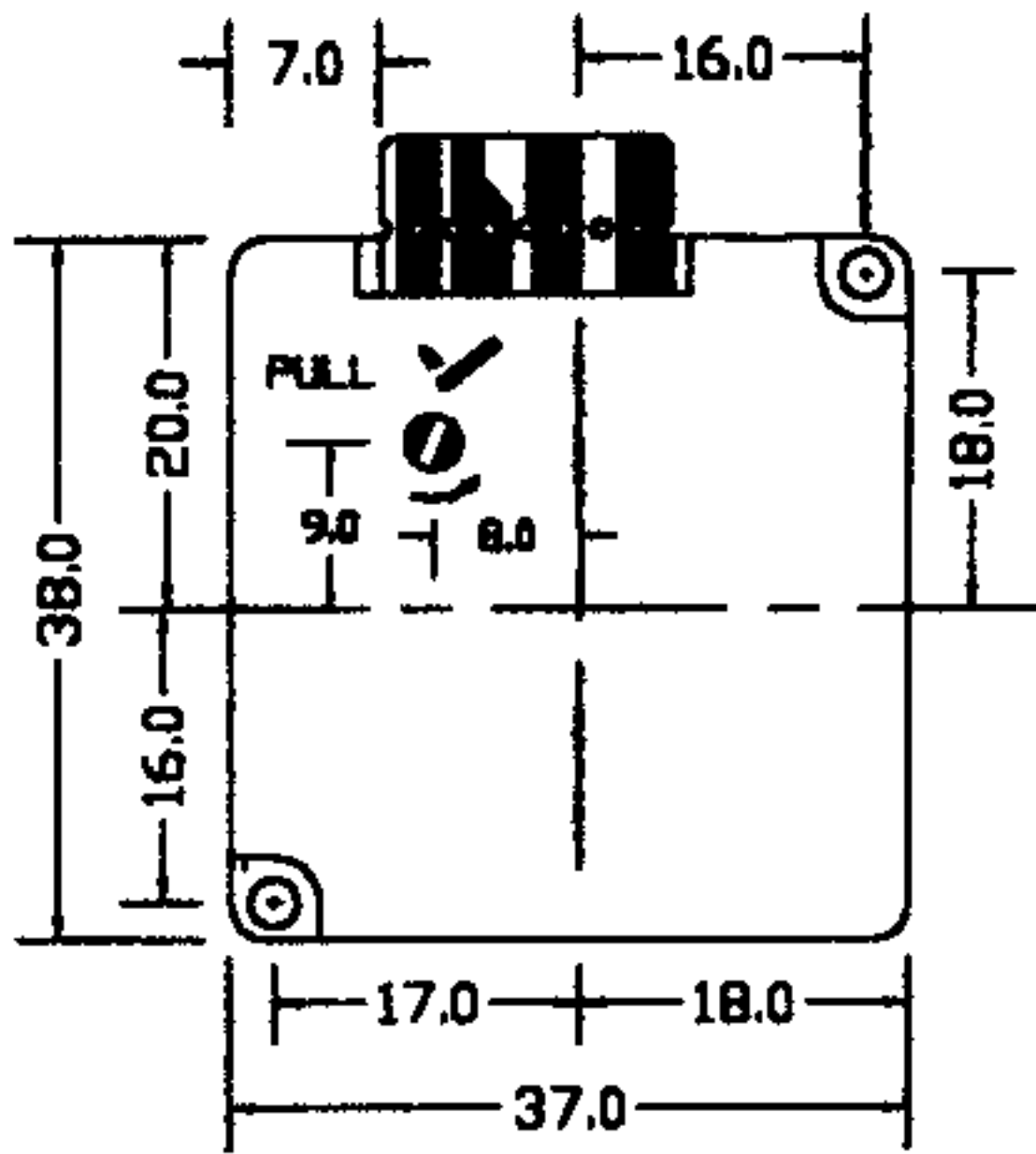


## PLASTIC HAND



## Specifications for YQ - 38 & 36

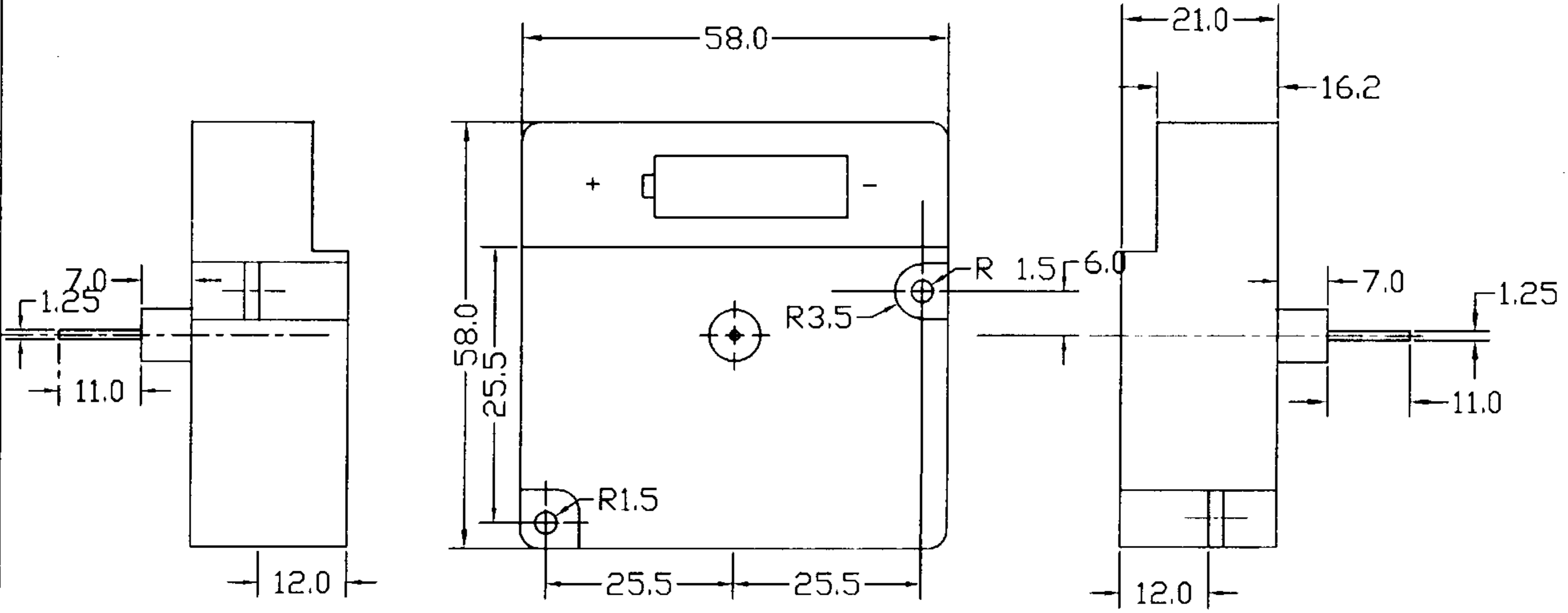
Crystal Oscillator Accuracy at 22°C	: 32.768KHZ : 20 sec/month or 0.45 ± 0.55 sec/day	Battery Size	: AA size (IEC R6) 1 pc
Operating voltage	: 1.3v to 1.65v	Battery Life	: Approx.1 year
Operating Temperature	: -10° C to +50° C	Alarm Volume	: Over 80 dB at 1.5V (at 10cm distance)
Motor Type	: Two-pole stepping motor	Alarm Duration	: 35 ±20 minutes
Consumption Time	: Less than 85 uA at 1.5V	Alarm Accuracy	: ± 5 minutes
Alarm	: Less than 8 MA at 1.5V	Hands Hour	: Less than 40mm
Resonance Frequency	: 2048 Hz	Second	: Less than 45 mm
		Unbalance	: Less than 0.1g-cm
		Nominal Voltage	: DC 1.5V



## Specification

Oscillator frequency	: 32.768 KHz	Step motor	: self-start, self motor drive
Circuit	: C-Mos	Operating voltage	: 1.25V to 1.65V
Time keeping	: 0.45+/-0.55/day	Battery	: AA size (1.5V), 1 piece
Operating temperature	: -10 C to +60 C	Battery life	: 1 year
Operating position	: any	Average current consumption	: 1.5V < 150 Amp
Indication of second hands	: step by step	torque	: Max torsional load on second shaft < 150 Nm

# Rotary Movement Model: YQ-1699-11



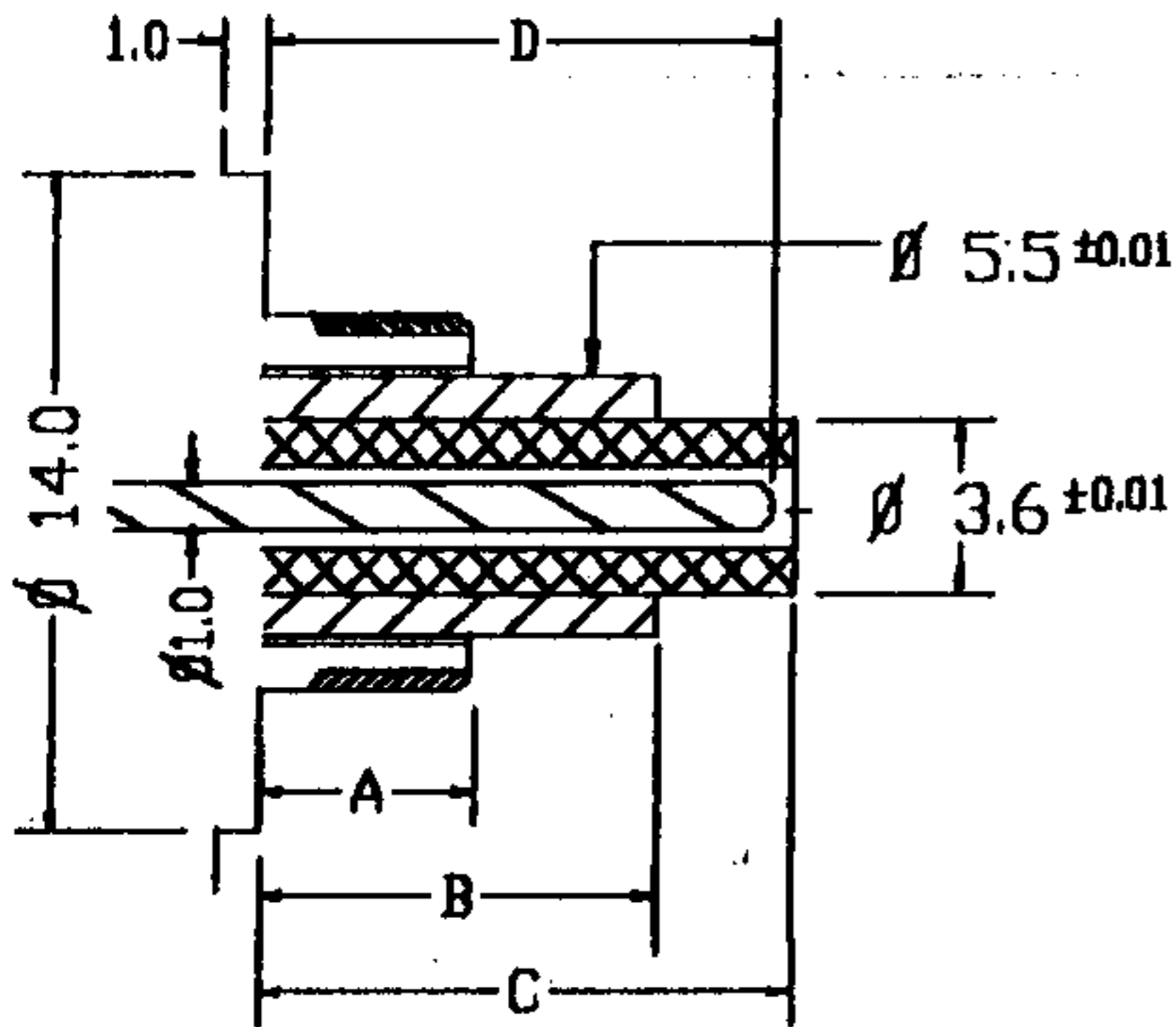
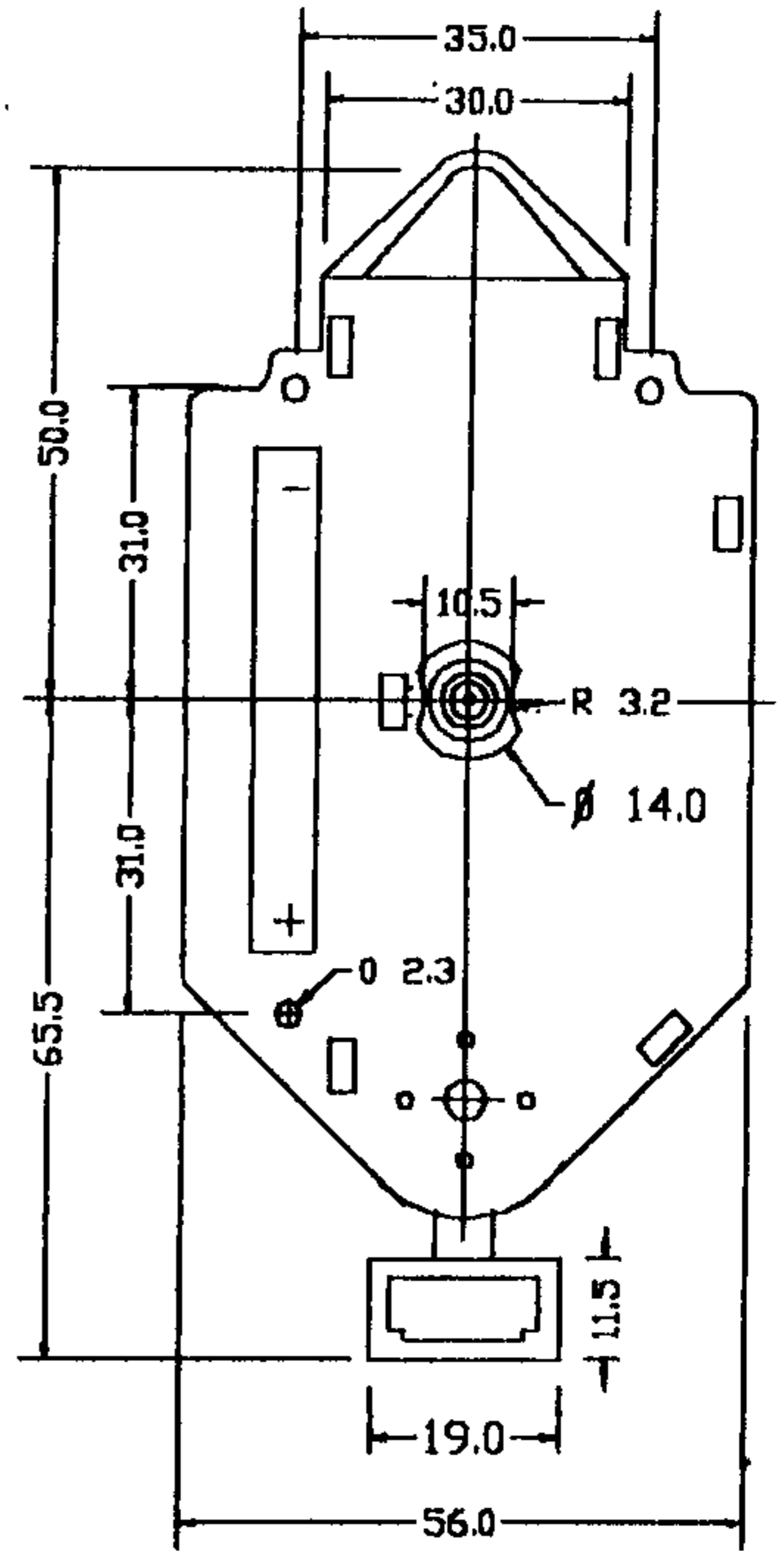
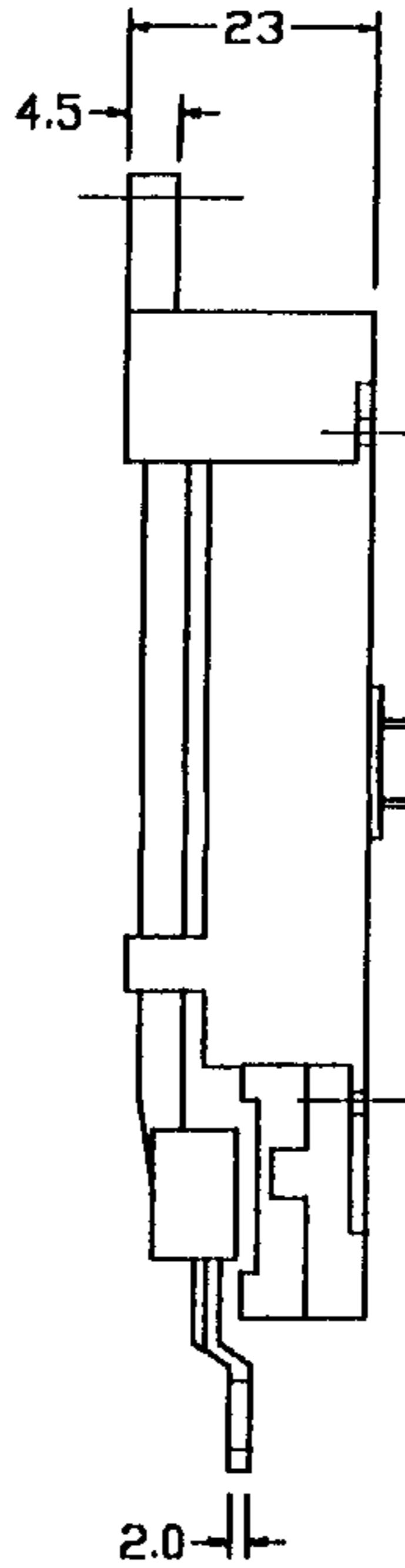
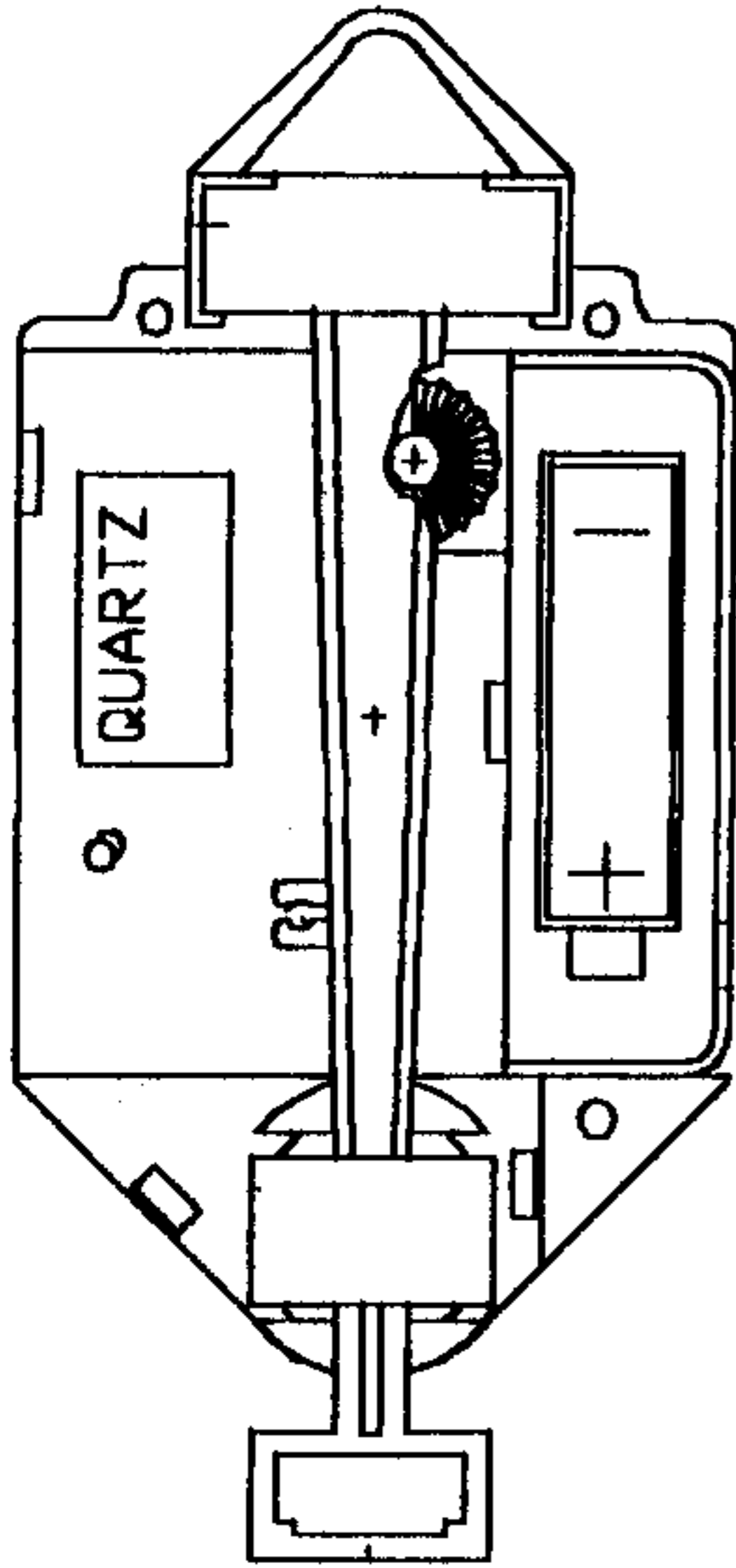
**Specification :**

- Rotary Frequency : 40-50 /secand
- Tarque : 0-15g
- Operattion Temperature : -10 c to +60 c
- Battery size : 1.3-1.65 v AA
- Battery Life : 1/2 year.

Name	rotary movement	Scale	
Design	Mr. lin	Dimension	mm
Approval	Izm Feb.12,95	Date:	Jan.9,95

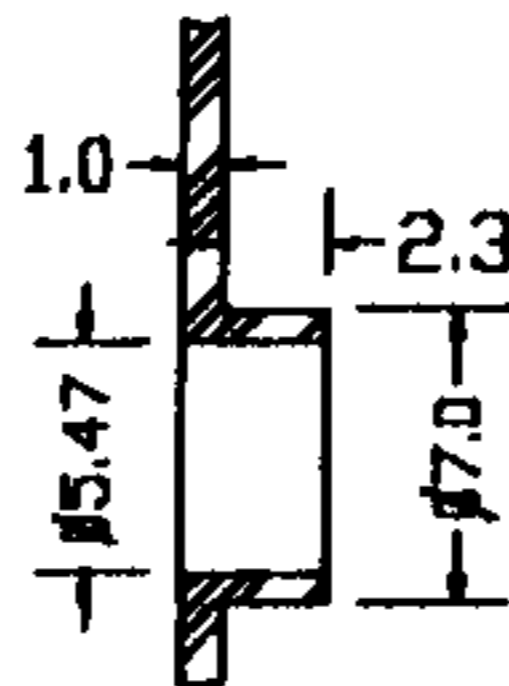
Yet Chong Electric Co.,

# YQ-3263 QUARTZ CLOCK PENDULUM MOVEMENT

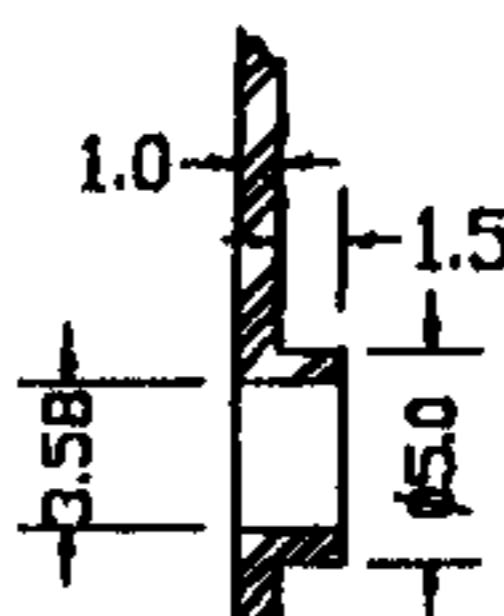


CATALOG	A	B	C	D
YQ 3263-13	4.5	8.5	11.5	11.0
YQ 3263-09	NIL	5.5	8.5	8.0

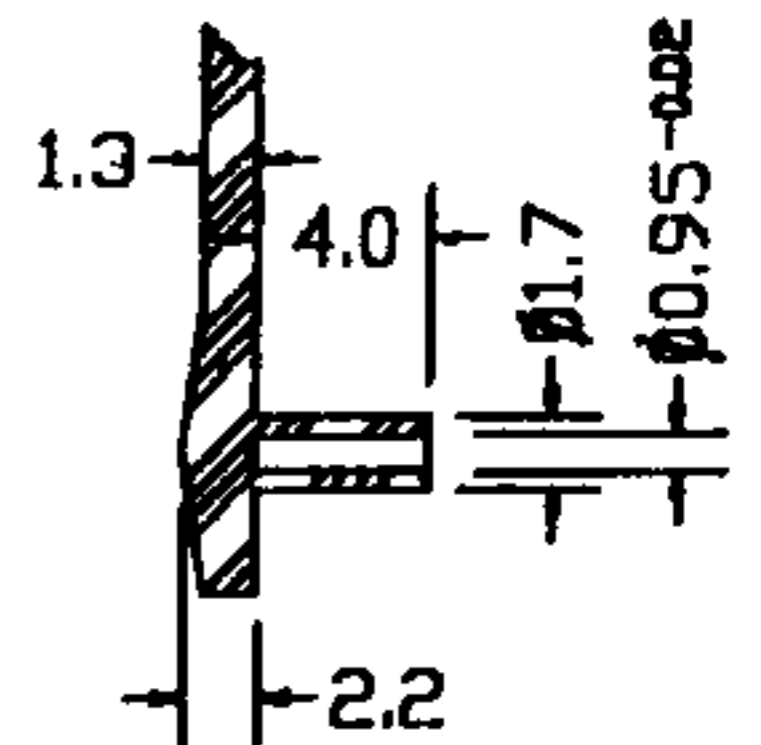
HOUR HAND



MINUTE HAND



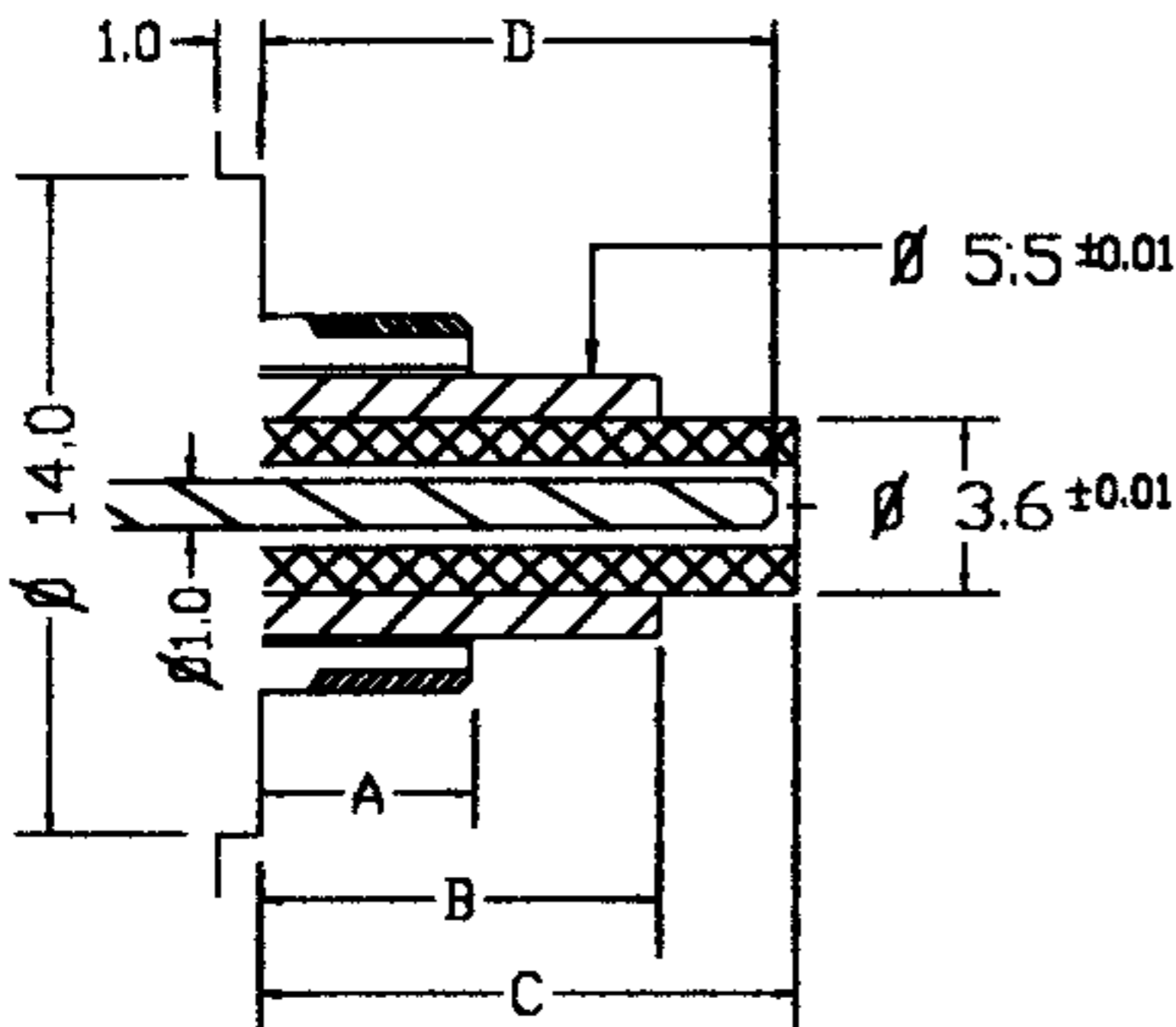
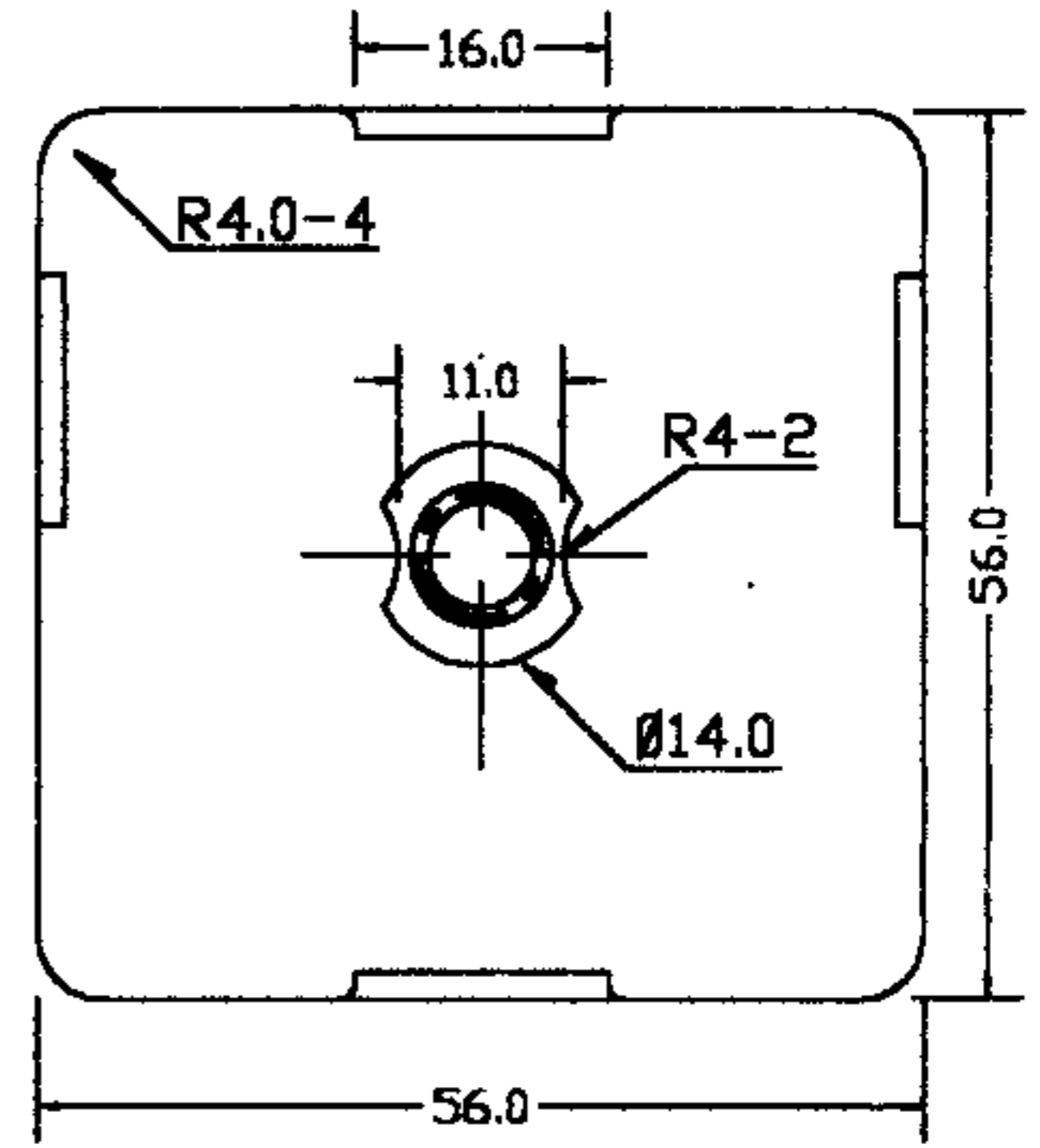
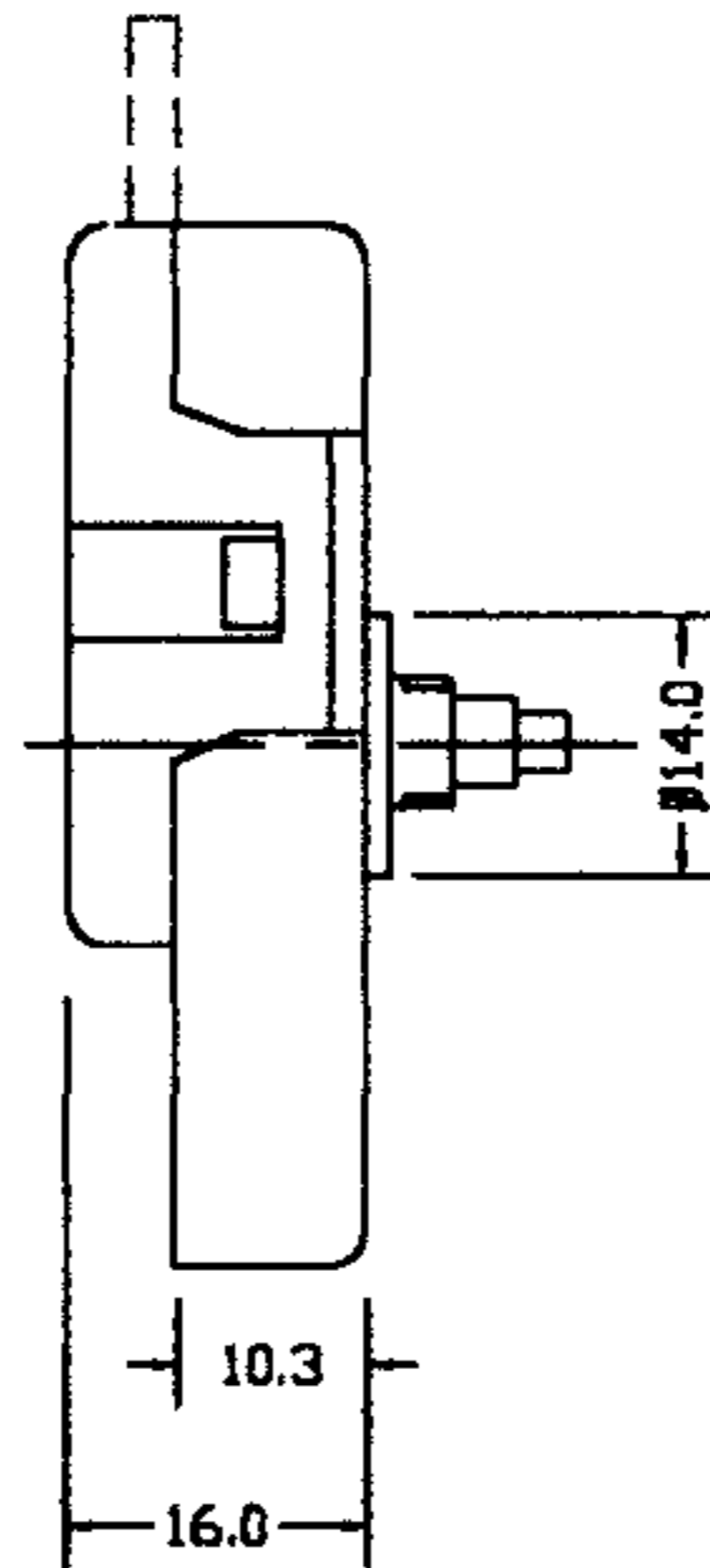
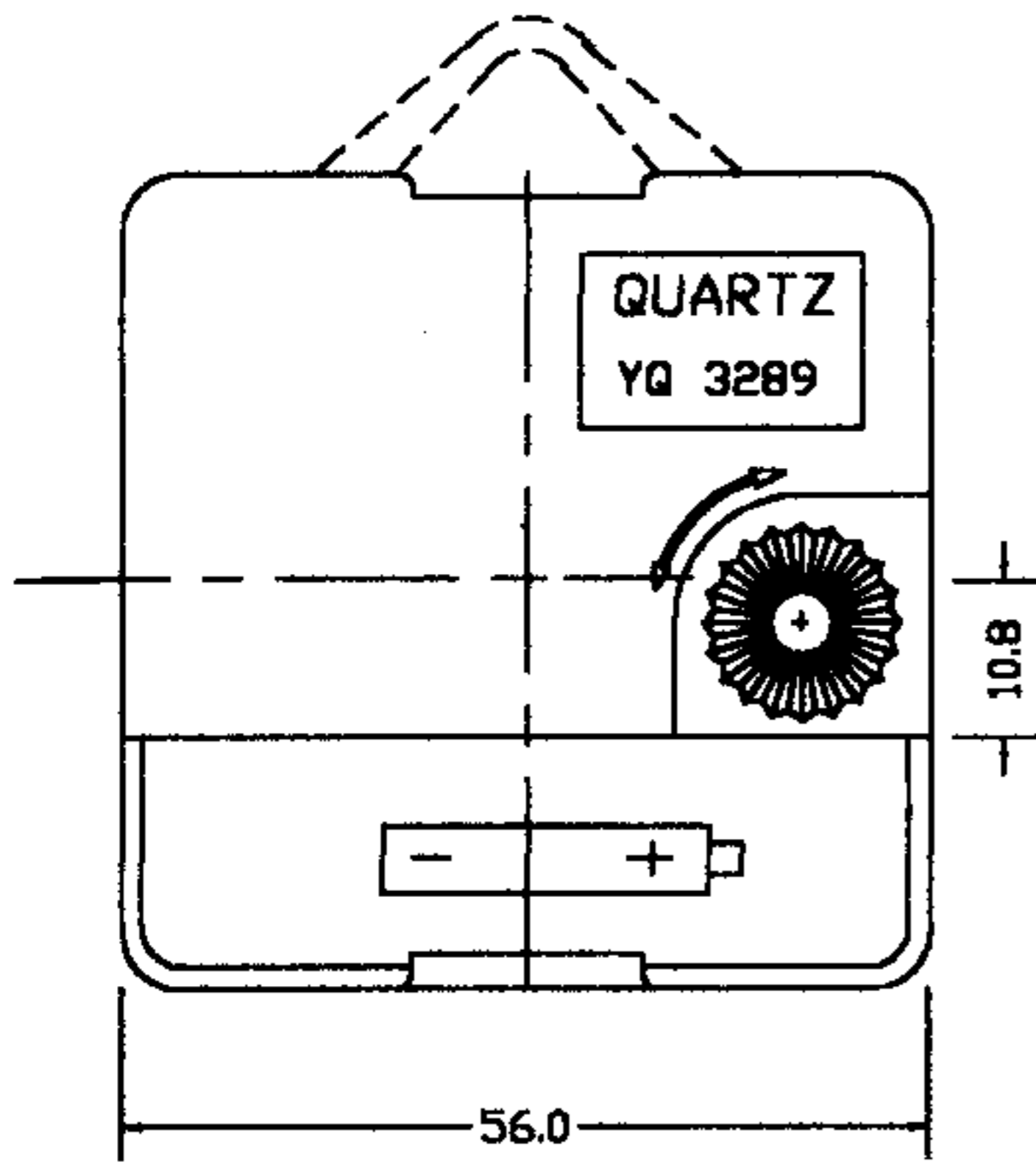
SECOND HAND



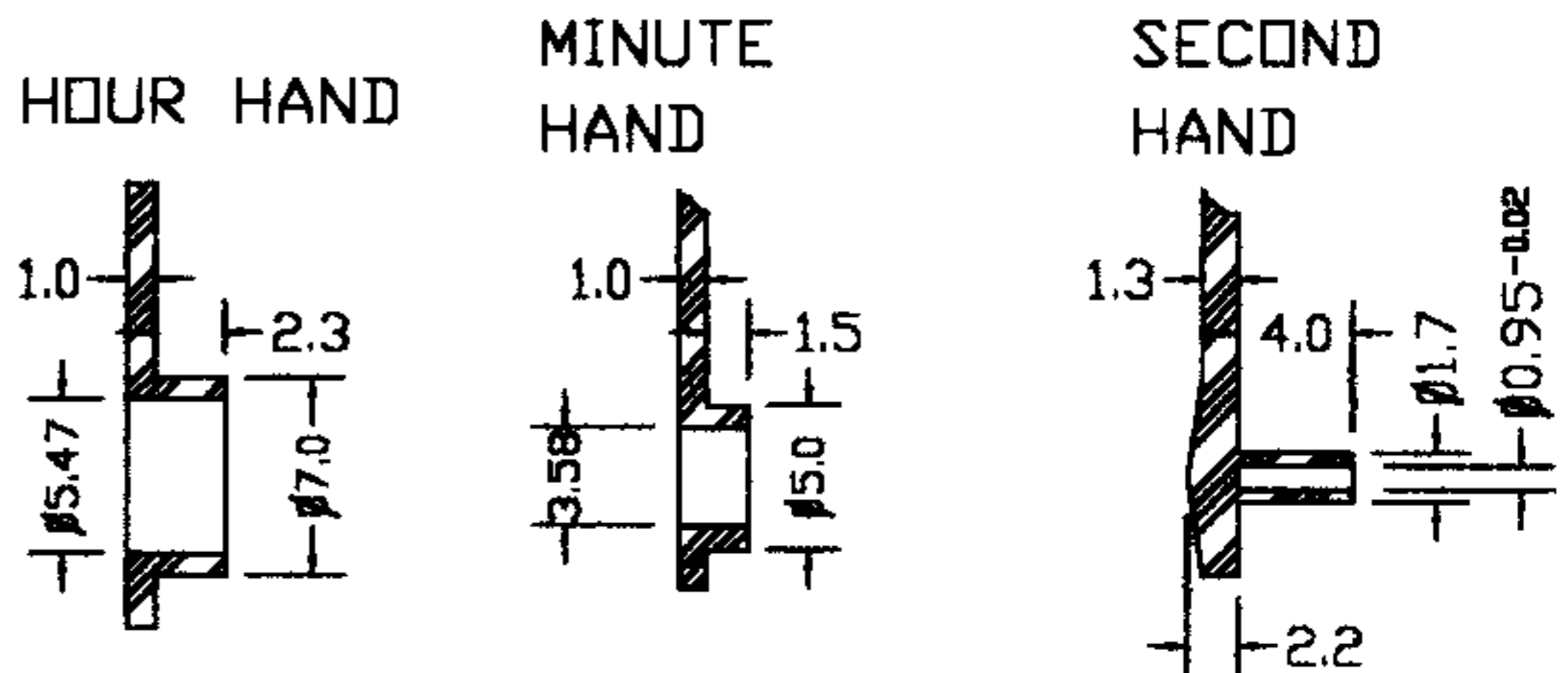
## Specification

Oscillator frequency	32.768 KHz	Step motor	self-start, self motor drive
Circuit	C-Mos	Operating voltage	1.25V to 1.65V
Time keeping	0.45+/-0.55/day	Battery	1AA size (1.5V), 1 piece
Operating temperature	-10 C to +60 C	Battery life	1/2 year
Operating position	any	Average current consumption	1.5V < 150 Amp
Indication of second hands	step by step	torque	Max torsional load on second shaft < 150 Nm

# YQ-3289 QUARTZ CLOCK MOVEMENT



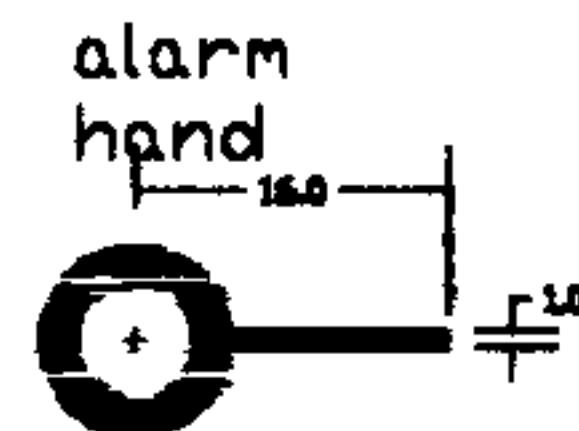
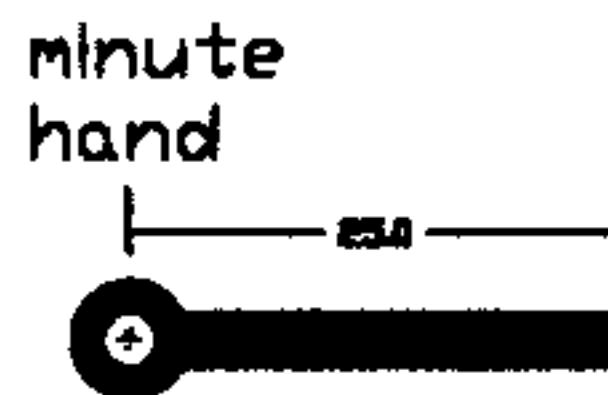
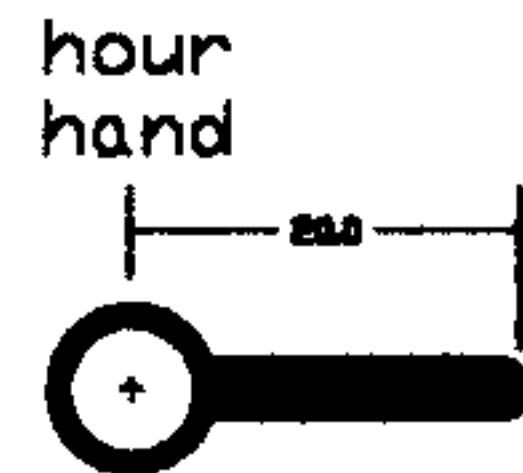
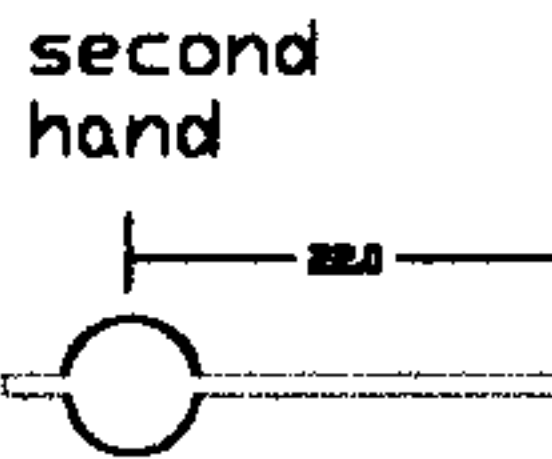
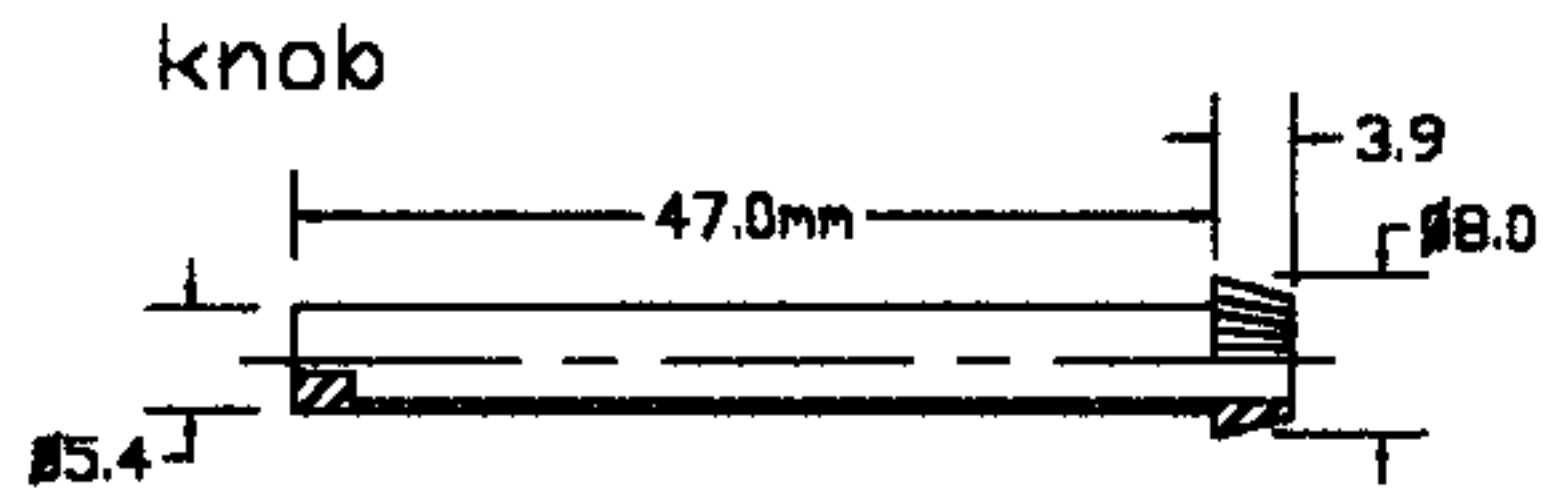
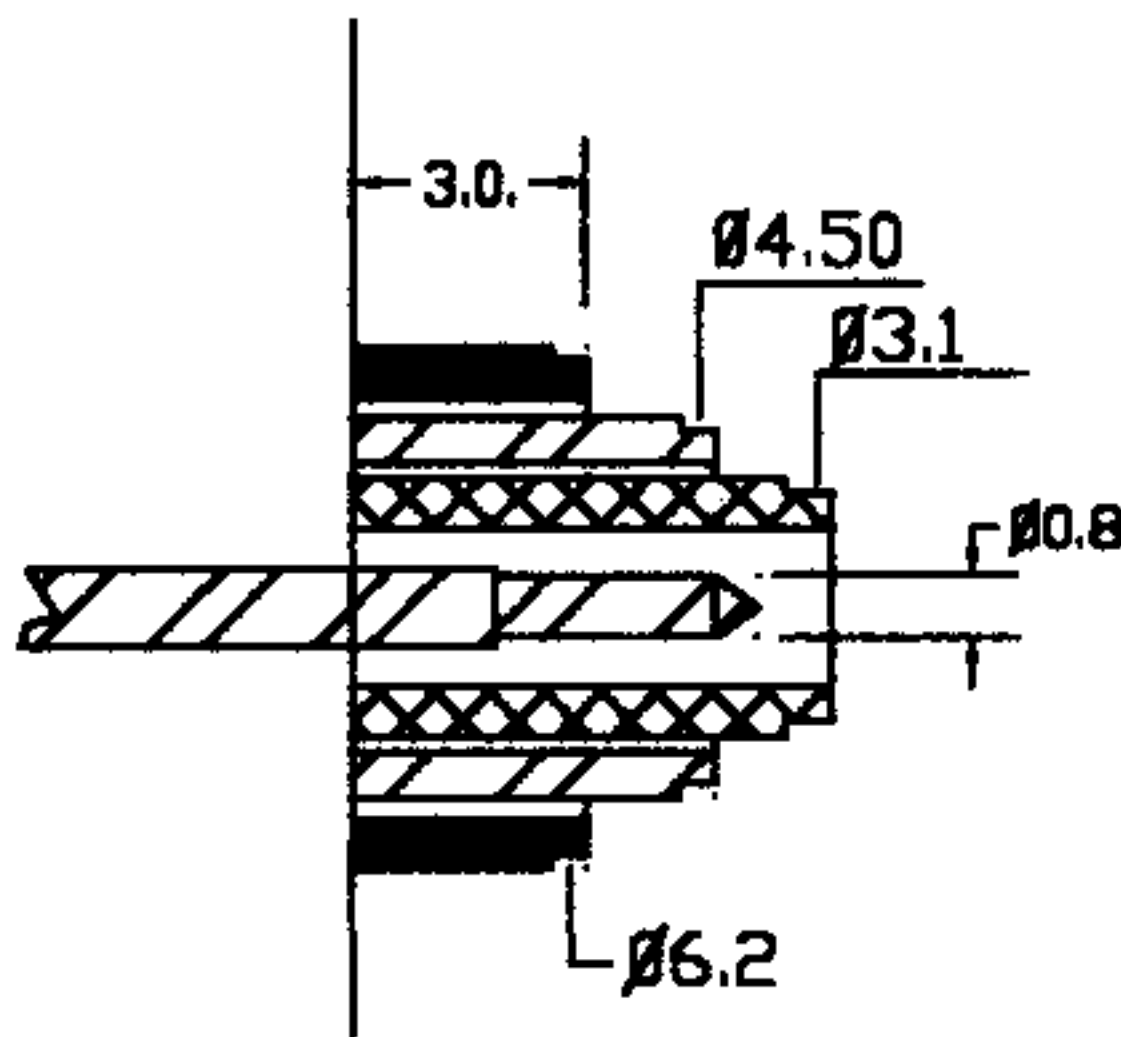
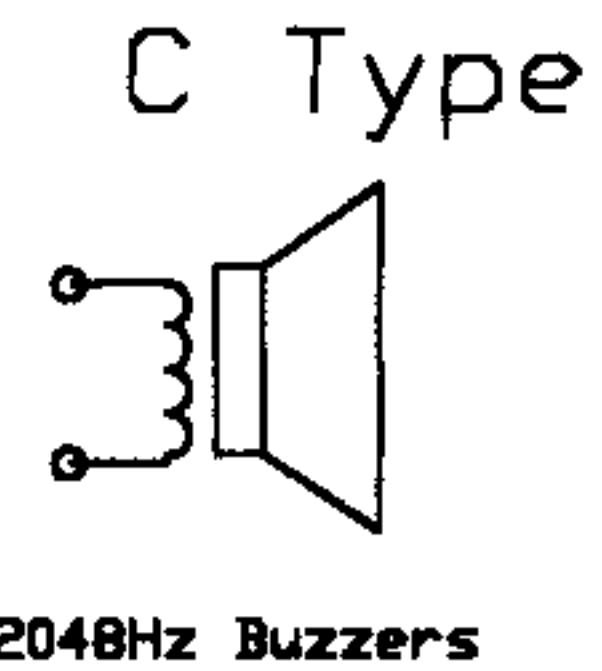
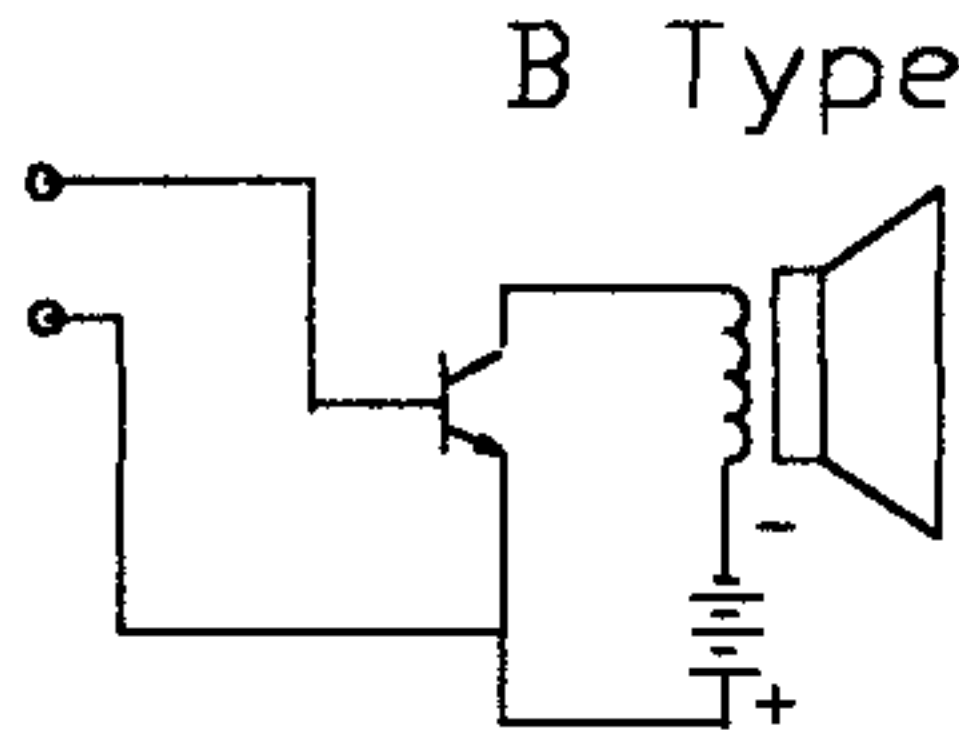
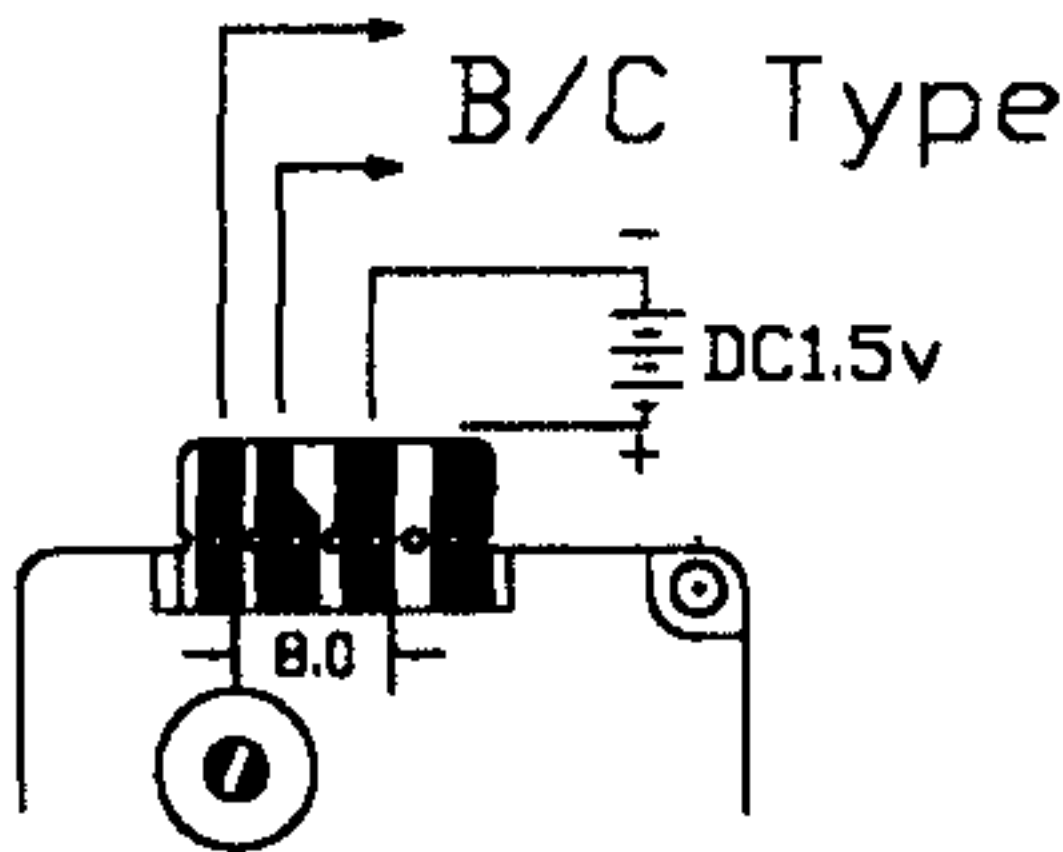
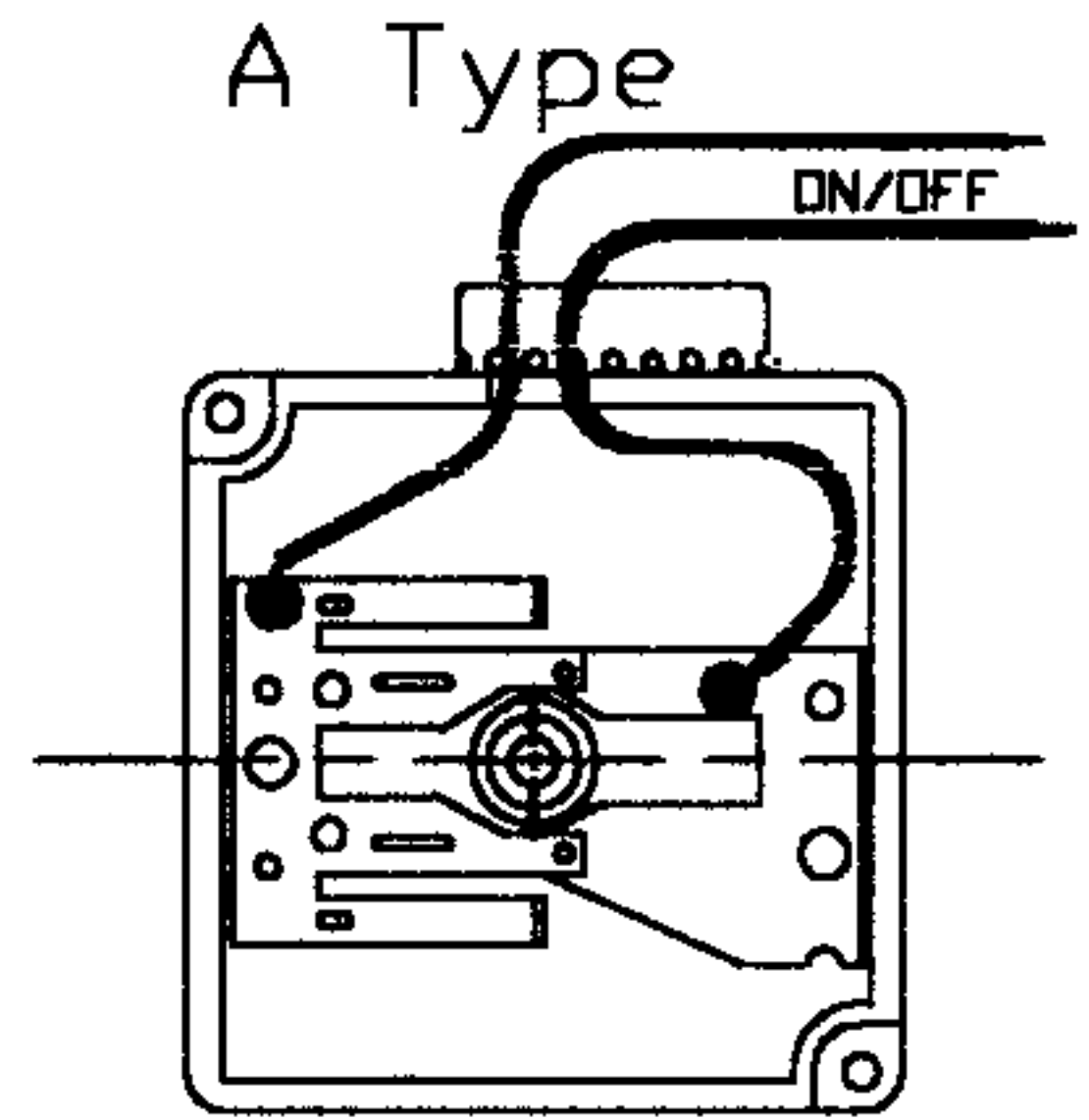
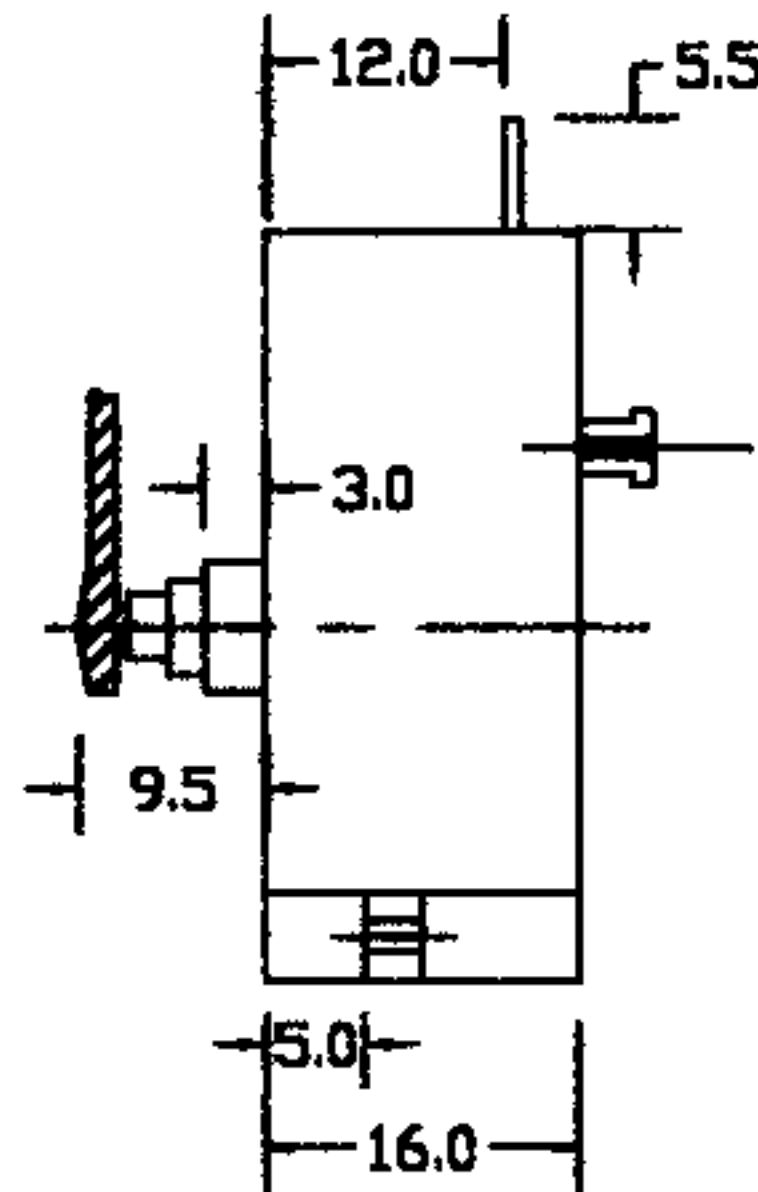
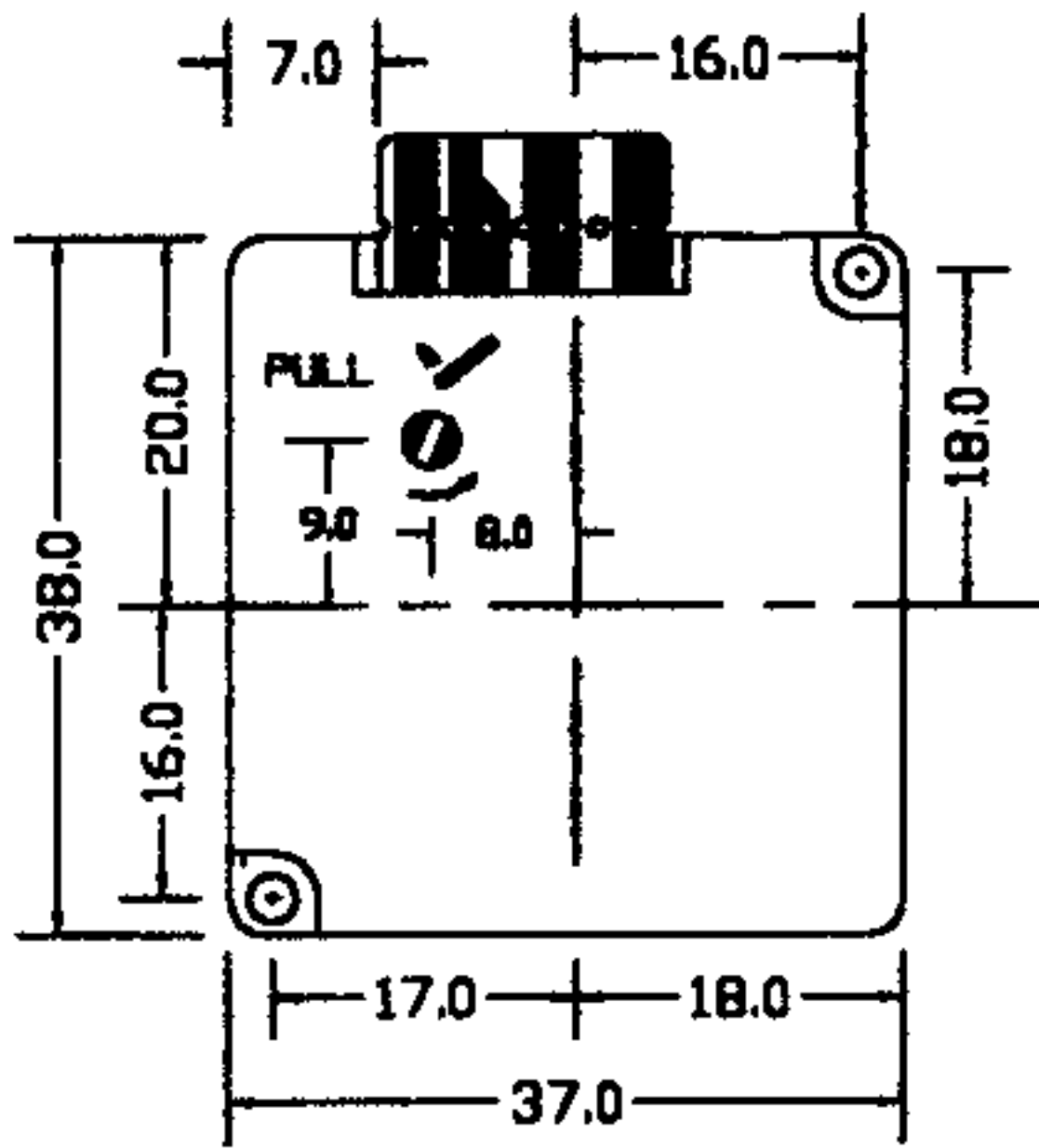
CATALOG	A	B	C	D
YQ 3289-18	5.0	10.5	13.5	13.0
YQ 3289-13	5.0	9.0	12.0	11.5
YQ 3289-09	NIL	5.5	8.5	8.0
YQ 3289-27	11.0	14.5	18.0	18.0
YQ-3289N-06 → 27	With hanger			
YQ-3289W-06 → 27	With outside lead wire Hourly Switch Type			
YQ-328924-13	For 24 Hours Paper Dial			
YQ-3289S-06 → 27	Sweep Quartz Movement			



## Specification

Oscillator frequency	32.768 KHz	Step motor	self-start, self motor drive
Circuit	C-Mos	Operating voltage	1.25V to 1.65V
Time keeping	0.45 ± 0.55/day	Battery	AA size (1.5V), 1 piece
Operating temperature	-10 C to +60 C	Battery life	1/2 year
Operating position	any	Average current consumption	1.5V < 150 Amp
Indication of second hands	step by step	torque	Max torsional load on second shaft < 150 Nm

# YQ-3863 QUARTZ CLOCK MOVEMENT



## Specification

Oscillator frequency	: 32.768 KHz	Step motor	: self-start, self motor drive
Circuit	: C-Mos	Operating voltage	: 1.25V to 1.65V
Time keeping	: 0.45+/-0.55/day	Battery	: AA size (1.5V), 1 piece
Operating temperature	: -10 C to +60 C	Battery life	: 1 year
Operating position	: any	Average current consumption	: 1.5V < 150 Amp
Indication of second hands	: step by step	torque	: Max torsional load on second shaft < 150 Nm